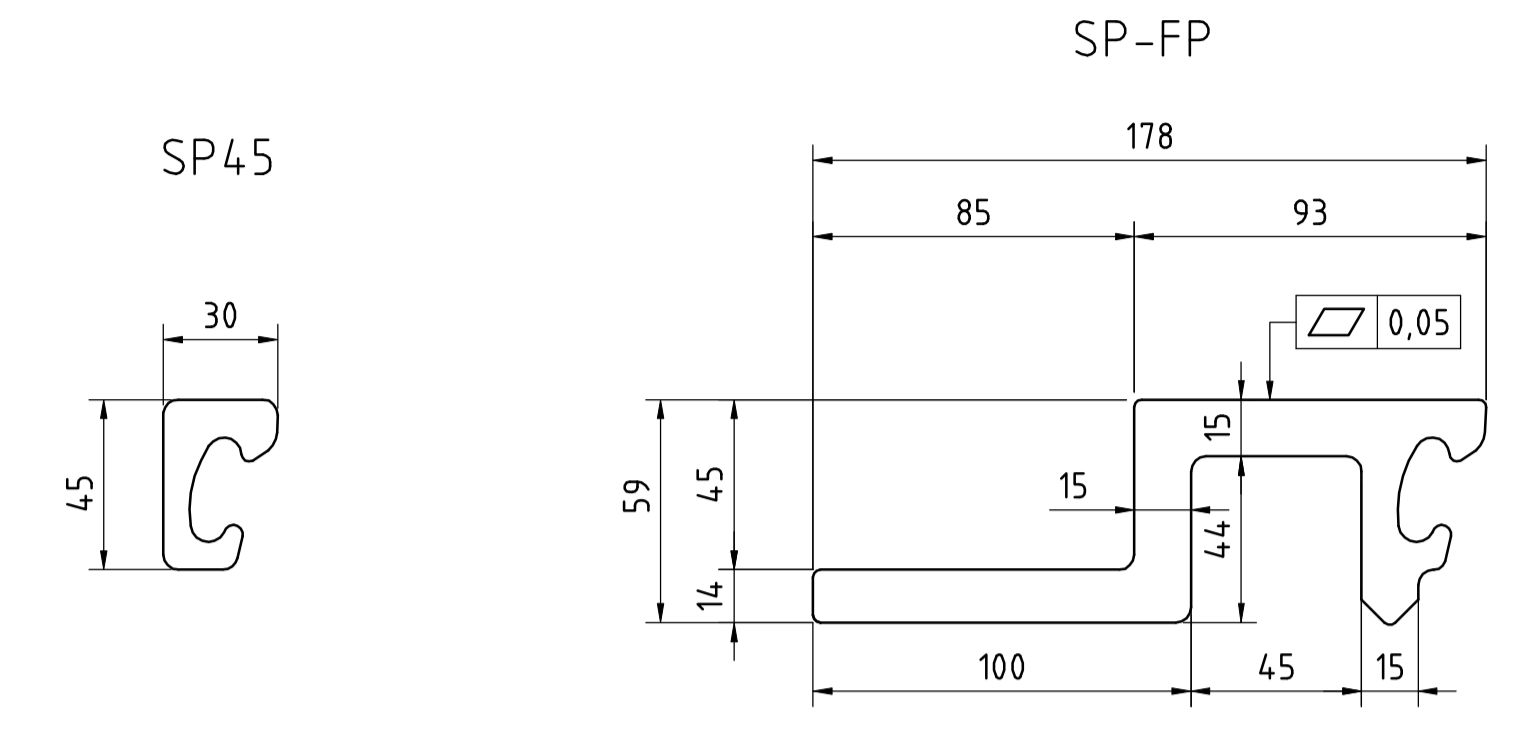
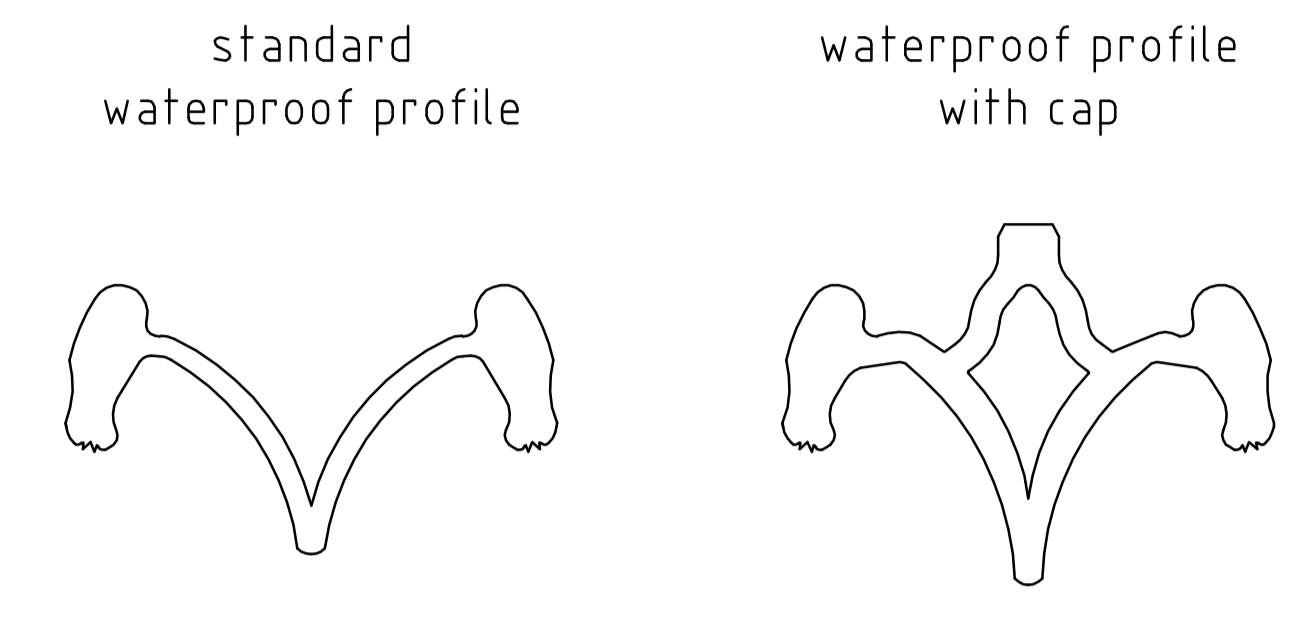


profiles

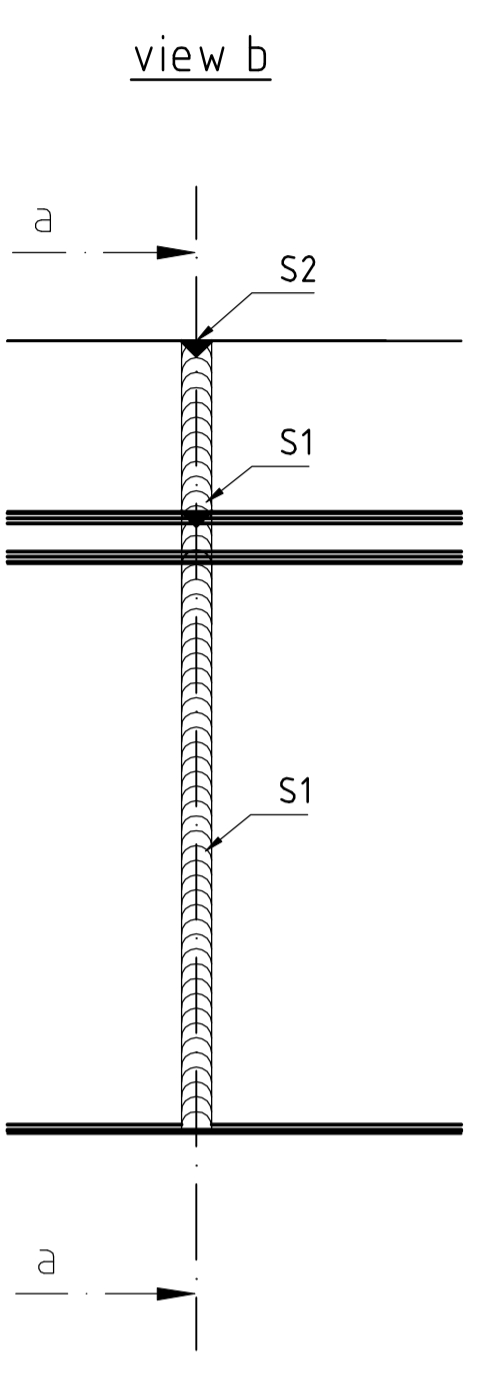
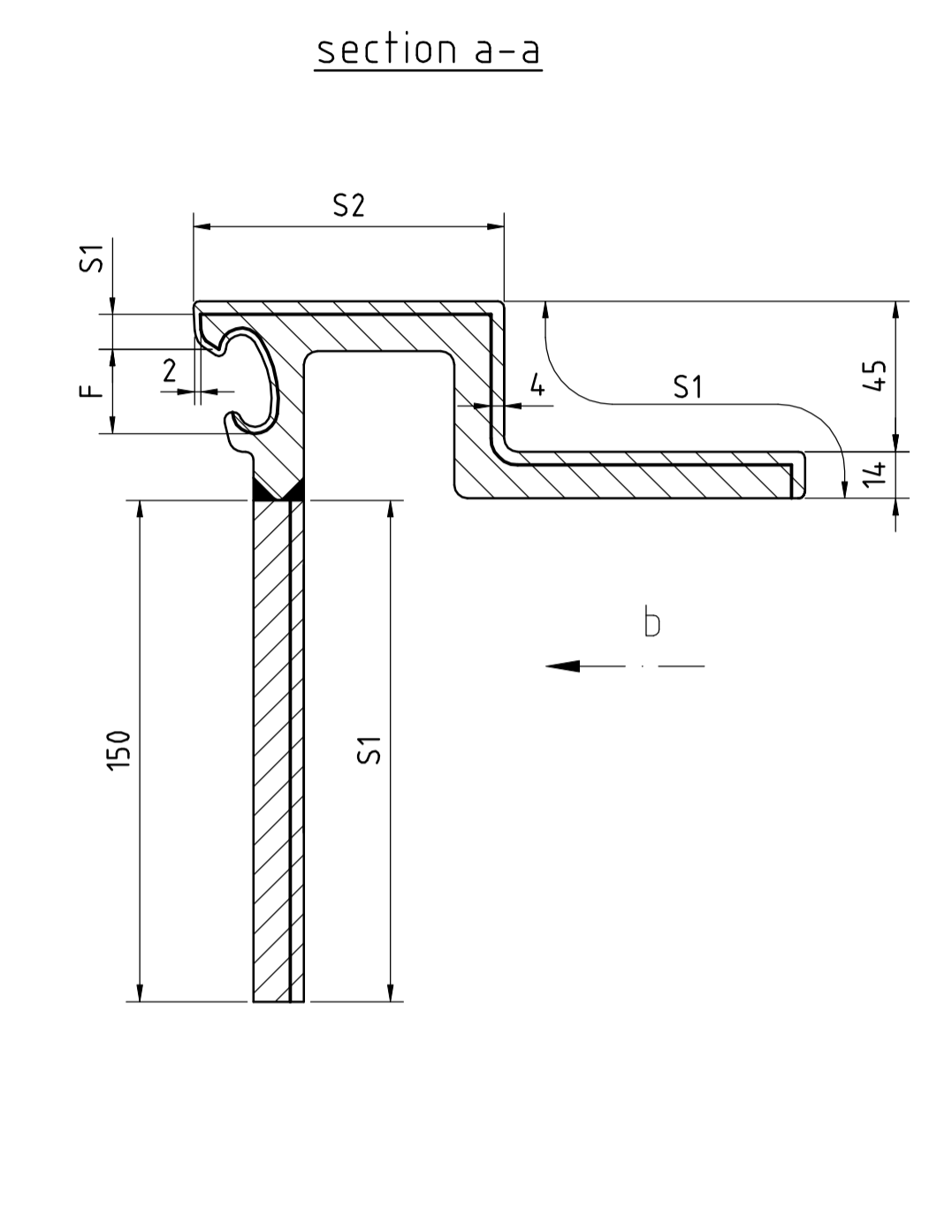


waterproof profiles

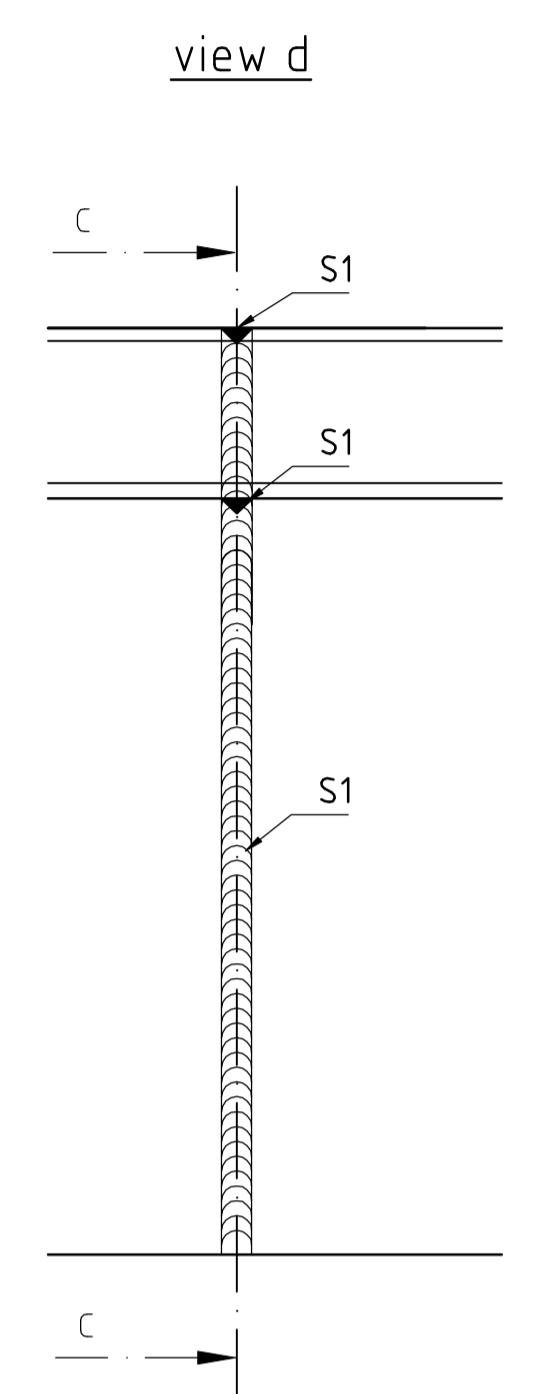
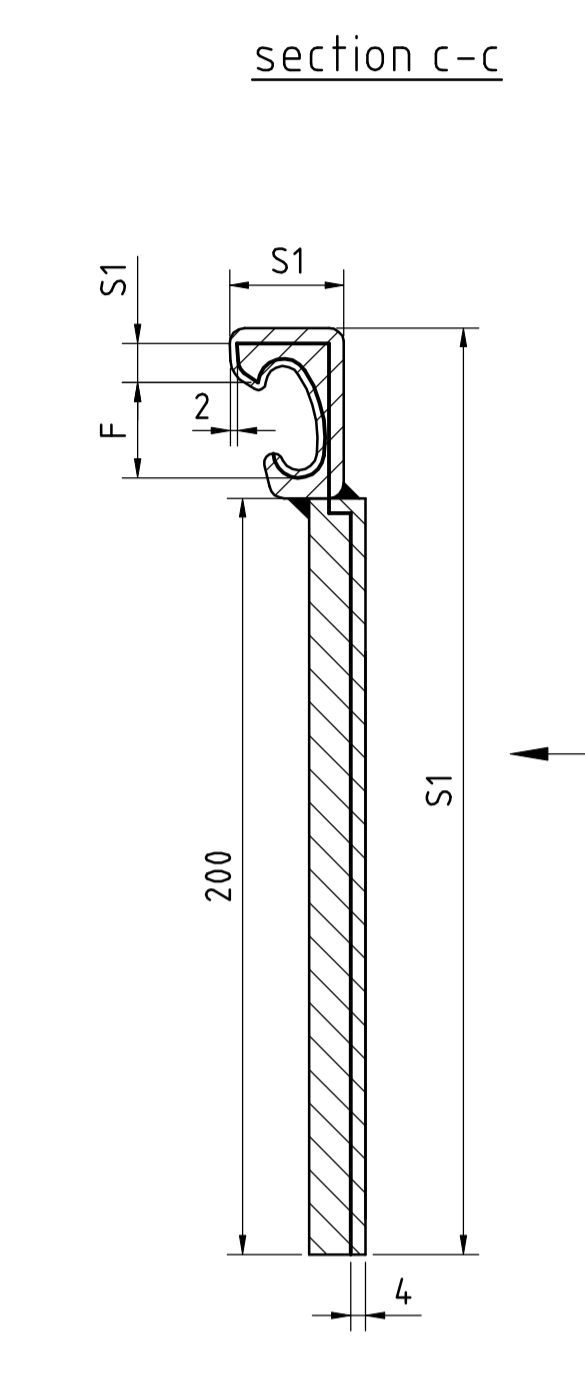


construction site seams

construction site seam SP/FP

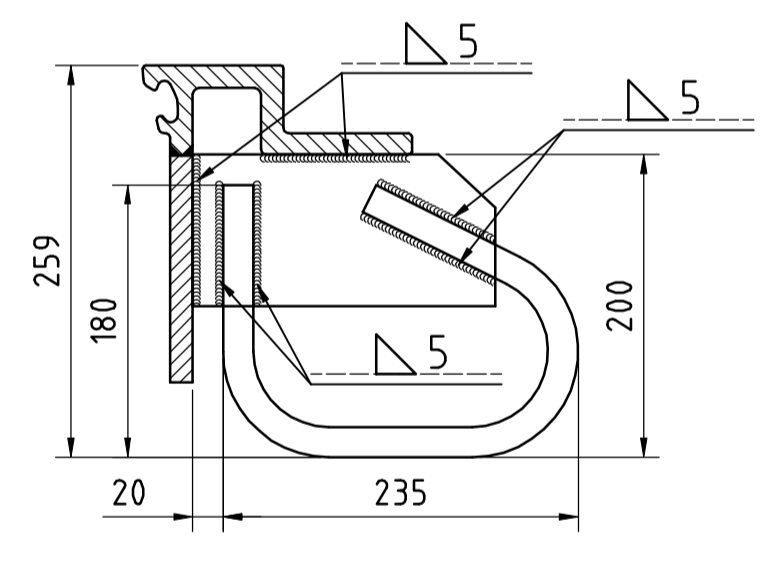


construction site seam SP/G

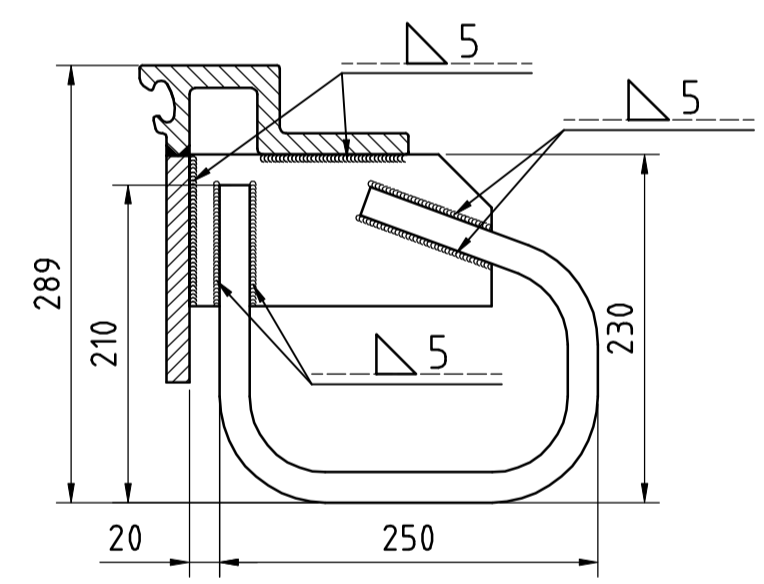


anchors

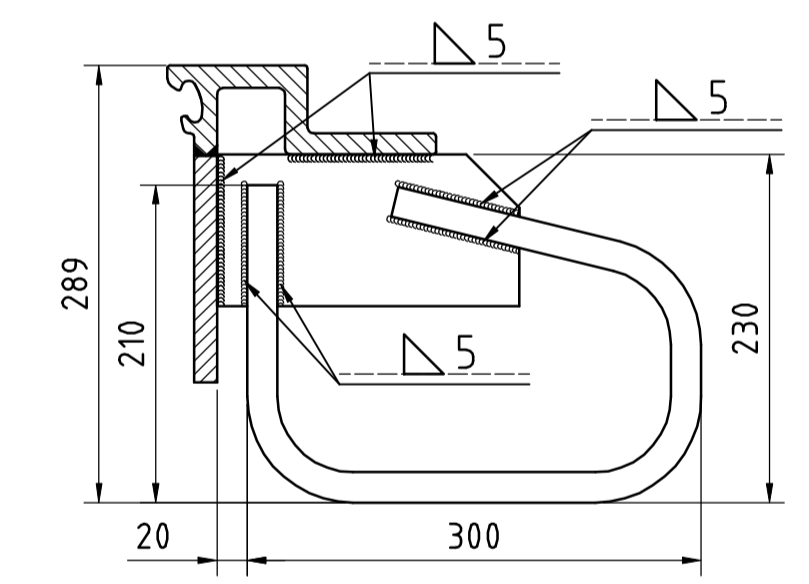
standard anchor



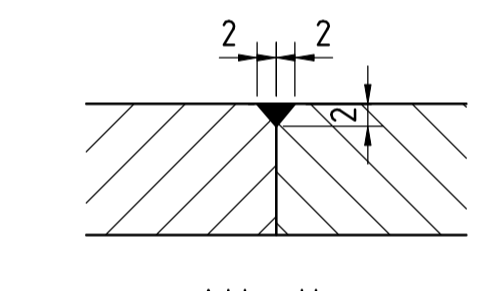
RTD anchor



RTD anchor for angle ≥ 30°

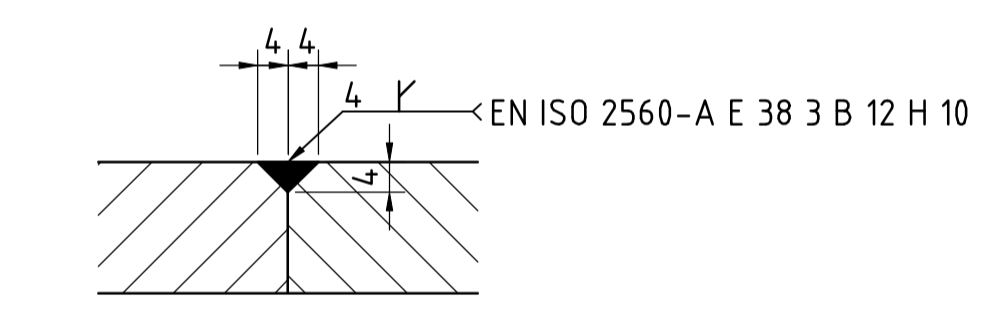


bevel "F" - scale 1:1

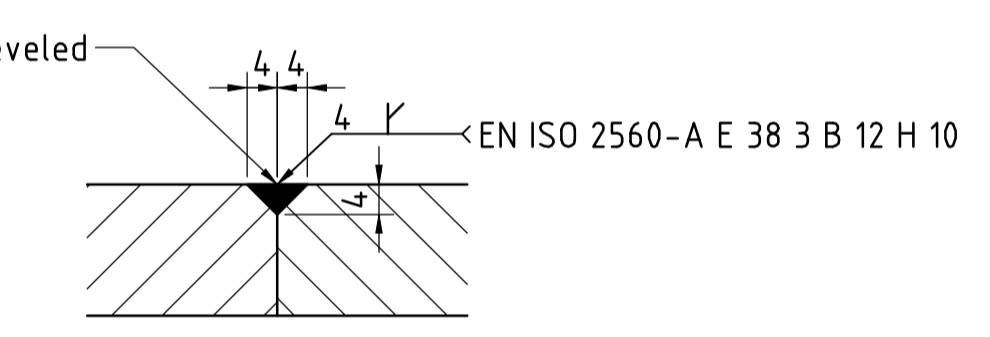


Attention: do not weld bevel F, seal with polyurethane

S1 - scale 1:1

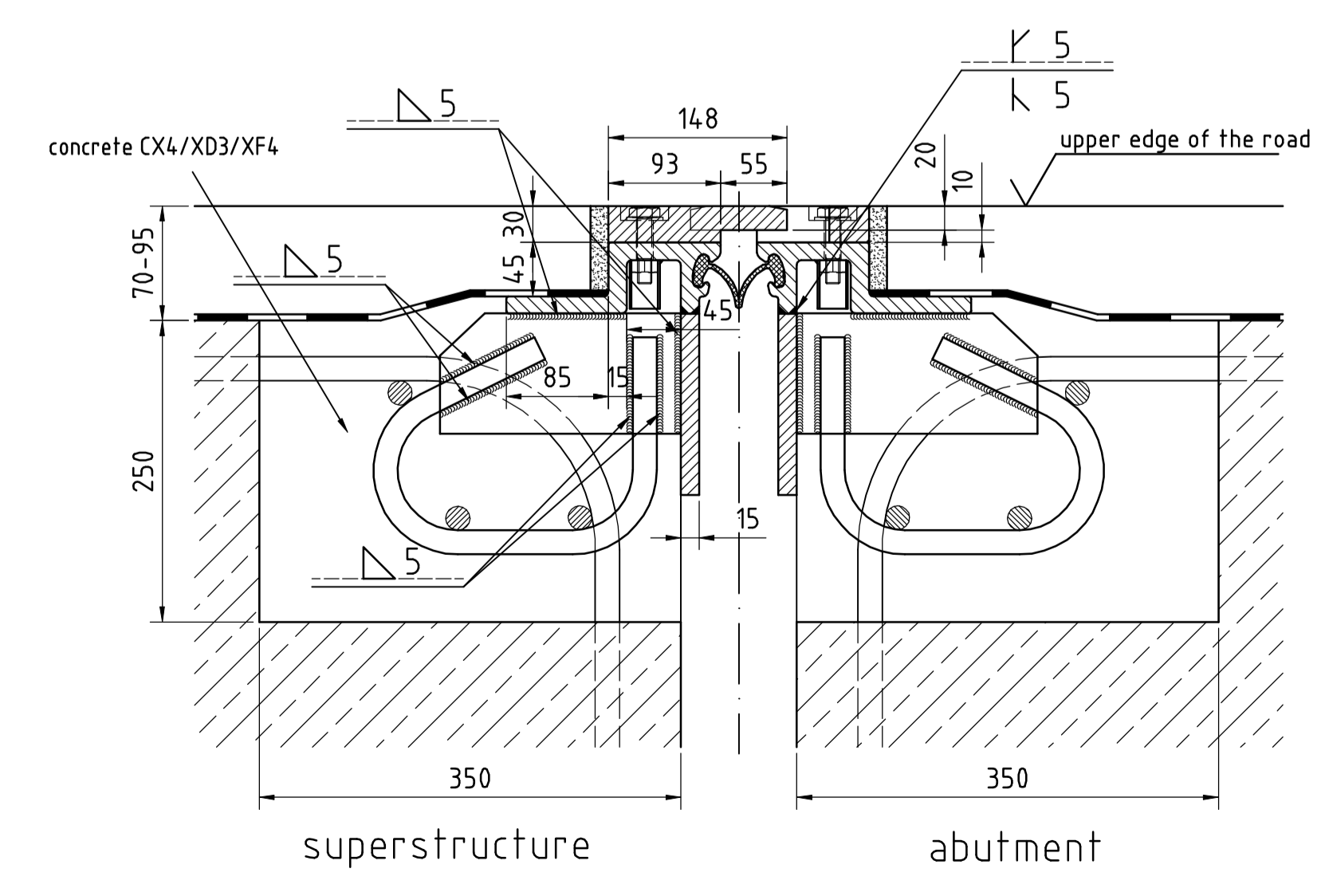


S2 - scale 1:1

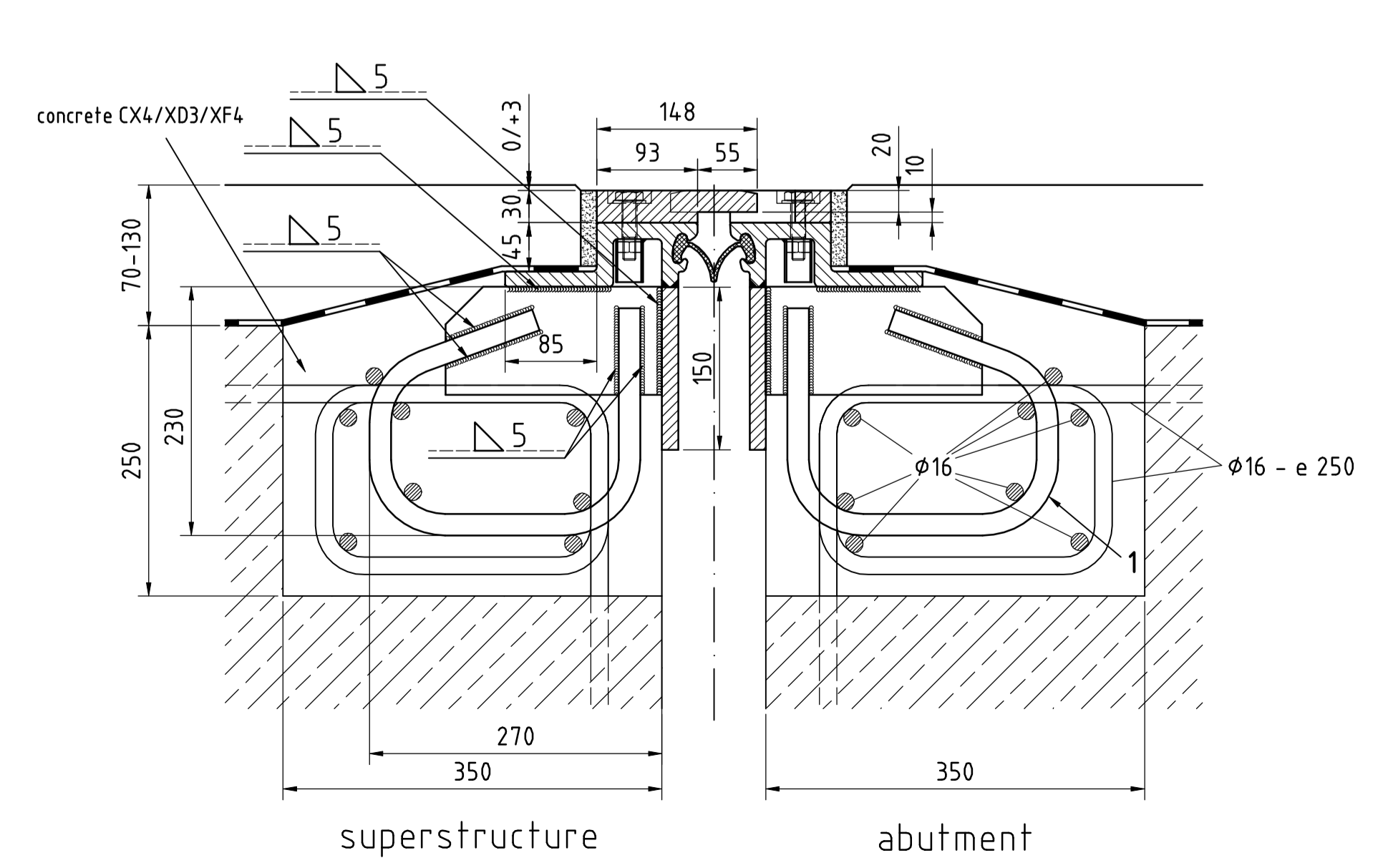


The base coat on the construction site seam is manufacture with zinc phosphate

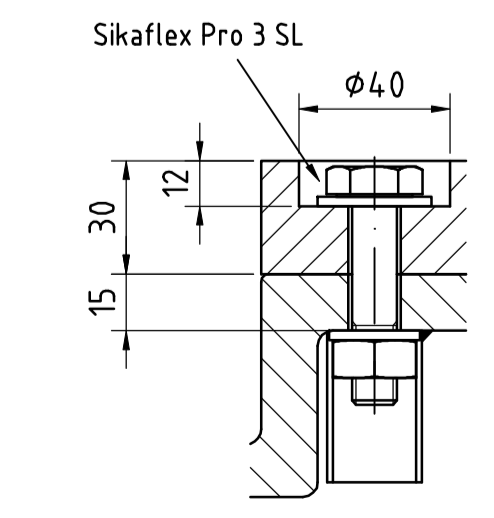
section roadway scale 1:5



section roadway scale 1:5



detail screw connection scale 1:2



Index	wijziging	datum	naam
opdrachtgever:		getek. 16.04.2021	Aue
Rijkswaterstaat	NTF	gecon.	
onderdeel:		datum	naam
Voeg an landhoofd as xx			120
SCHREIBER	Objekt:	opdracht-Nr.	F
	Musterzeichnung	xxxxxx	
	SP - FP	blad:	02